

DATA SHEET MERRY-GO-ROUND CALIGO ROTUS

Text for invitation to tender | Item No: 514038401



MATERIALS | SCOPE OF SUPPLY

Merry-go-round, pre-mounted completely

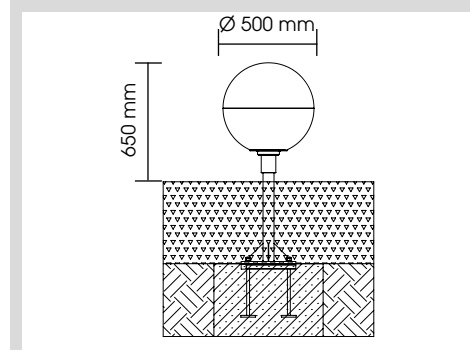
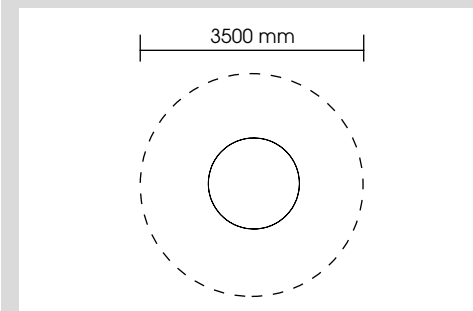
Rubber ball:	half rubber balls made of EPDM granules, 2 pieces
Moving element:	stainless steel blank with ball bearing, 1 piece
Pedestal:	stainless steel, V2A
Foundation anchor:	galvanized steel

TECHNICAL INFORMATION

Dimensions:

Main dimension:	Ø 500 mm
Height:	650 mm
Weight:	60 kg
Capacity:	acc. to normative requirements
Dimension largest piece:	Ø500 x 1110 mm
Heaviest piece:	54 kg

Max. fall height:	650 mm
Impact area:	9,62 m ²
Required safety slabs:	12,25 m ²
Required lawn grating:	16,00 m ²
Recommended surface material:	grass, sand, wood chip, gravel, synth. impact protection



INSTALLATION

Foundations: 1
Modified installation depth possible (special edition)
Installation according to our detailed mounting instructions, see www.stilum.com

